



Food Processor Cutter Mixer 5.5 LT - 2 Speed, with Micro toothed blades

ITEM # _____

MODEL # _____

NAME # _____

SIS # _____

AIA # _____



600445 (DK55Y2V)

Cutter mixer 5,5 lt capacity,
2 speeds 1500-3000 rpm.
Supplied with micro
toothed blade rotor and
stainless steel bowl

Short Form Specification

Item No. _____

2 in 1 machine: table-mounted cutter and emulsifier thanks to the ergonomic and easily dismantlable scraper, in heavy duty composite material, for liquidising, mixing and mincing in a matter of seconds. Stainless steel 5,5 litre bowl with high chimney to increase the real capacity of the bowl (use up to 75% of nominal capacity). Unique bowl design for mixing both large or small quantities. Transparent lid to check consistency of food and to eventually add ingredients without having to open the lid. Hinged cover, when lifted, remains open to permit a fast and easy check of preparation. Micro toothed blades in 420 AISI stainless steel. All parts are easily dismantled and dishwasher safe. Multiple safety devices ensure the machine will only operate when the cover is properly closed and all parts are correctly positioned. Flat and waterproof control panel with on/off button, pulse function and 2 speeds (1500/3000 rpm).

APPROVAL: _____

Main Features

- Table-mounted robust cutter and emulsifier allows fast liquidizing, mixing, chopping, mincing, and pastry-making.
- Emulsifier function (scraper) included as standard.
- Base fixed cover for a better handling.
- Lid with central opening to add ingredients in mid-cycle.
- All parts in contact with food are removable without the use of tools, completely dismantlable and dishwasher safe.
- Easy to clean and waterproof control panel with flat on/off button and pulse function.
- Microswitch and safety devices on handle, lid and bowl.
- Pulse function for coarse chopping.
- Productivity suitable for 50-100 meals per service.

Construction

- Stainless steel 5.5 liter bowl has a high chimney to ensure high productivity also when processing liquids.
- Micro-toothed blades in 420 AISI stainless steel and ergonomic scraper in resistant composite material to ensure consistent mixing.
- 2 speeds: 1500 and 3000 rpm.
- Transparent lid incorporates a magnetic contact safety system.
- Improved ventilation system to manage smoothly heavy duty use.
- Reinforced feet to withstand the repeated handling of the unit.

Included Accessories

- 1 of Lid and bowl scraper for PNC 650102 5,5 lt cutter mixer
- 1 of Stainless steel bowl for PNC 653590 5,5 lt cutter mixer
- 1 of Smooth blade rotor for PNC 653879 5,5 lt cutter mixer

Optional Accessories

- Lid and bowl scraper for 5,5 lt cutter mixer PNC 650102
- Stainless steel bowl for 5,5 lt cutter mixer PNC 653590
- Smooth blade rotor for 5,5 lt cutter mixer PNC 653878
- Smooth blade rotor for 5,5 lt cutter mixer PNC 653879

Cutter Mixer 5.5 LT - 2 Speed, with Micro toothed blades
Food Processor



Food Processor Cutter Mixer 5.5 LT - 2 Speed, with Micro toothed blades

- Microtooth blade rotor (emulsifier) for 5,5 lt cutter mixer

PNC 653880 □



Food Processor
Cutter Mixer 5.5 LT - 2 Speed, with Micro toothed blades

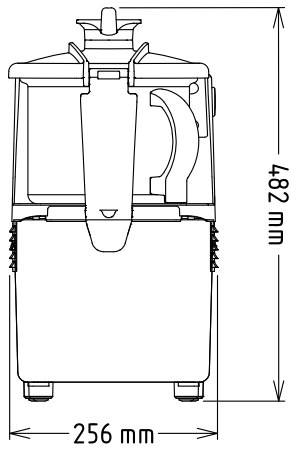
The company reserves the right to make modifications to the products without prior notice. All information correct at time of printing.

2026.04.21



Food Processor Cutter Mixer 5.5 LT - 2 Speed, with Micro toothed blades

Front



Electric

Supply voltage: 380-440 V/3 ph/50/60 Hz
Electrical power, max: 1 kW
Total Watts: 1 kW

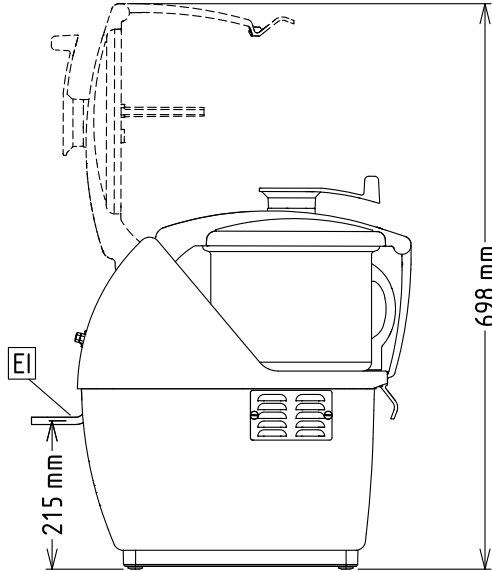
Capacity:

Performance (up to): 2.5 kg/Cycle
Capacity: 5.5 litres

Key Information:

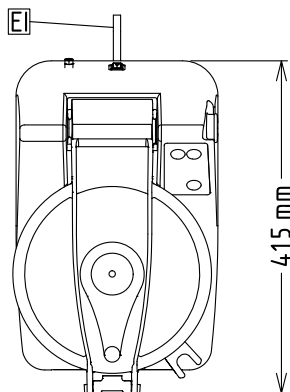
External dimensions, Width: 256 mm
External dimensions, Depth: 415 mm
External dimensions, Height: 482 mm
Shipping weight: 23 kg

Side



EI = Electrical inlet
(power)

Top



Food Processor
Cutter Mixer 5.5 LT - 2 Speed, with Micro toothed blades

The company reserves the right to make modifications to the products without prior notice. All information correct at time of printing.

2026.04.21

